

The WST11 is a corrosion resistant small wall pack designed to meet the demands of industrial and commercial applications. The housing can be mounted directly over a standard 4" outlet box or surface wired through ½" conduit entries. These lights provide illumination for safety and security along building perimeters. The unique zero sight line feature allows this product to meet the local "Dark Sky" requirements. Available in both wired and non wired versions.

Product Specifications

Housing:

Durable die cast aluminum with two ½" threaded conduit entries for surface wiring****. A continuous one piece silicon gasket ensures a weather tight seal.

Lens:

Clear heat and impact resistant tempered glass refractor

Reflector:

One piece anodized aluminum reflector for maximum lumen output

Socket:

Medium Base E26 – HID units
Universal four-pin – Compact fluorescent

Lamps:

WST116S Metal Halide or High Pressure Sodium 100W Max or PLT42W compact fluorescent. WST116D Metal Halide 175W Max or High Pressure Sodium 150W Max.
(All lamps are included)

Ballast:

Multi-tap – 120, 208, 240, 277 Volts
Multi-tap pulse start – 120, 208, 240, 277 Volts
Universal – 120 -277 Volts



Applications

- * Parking areas
- * Entrances
- * Walkways
- * Underpasses
- * Loading docks
- * Recreation areas

Finish:

Dark bronze (BZ) powder paint finish is standard

Approvals:



UNDERWRITERS
LABORATORIES



Contact our engineering staff if you require further application information.

Part Number Listing

Part No.	Series Number		Lamps	Ballast
R800132	WST116S-HPS100-MT-BZ	Shallow	HPS100W	MT/60HZ
R800133	WST116S-MH100-MT-BZ		MH100W	MT/60HZ
R800059	WST116S-PLT422-UNV-BZ		PLT-42W*2	120~277V/60HZ
R800055	WST116D-HPS150-MT-BZ	Deep	HPS150W	MT/60HZ
R800056	WST116D-MH175PS-MT-BZ		MH175W(PS)	MT/60HZ/PS

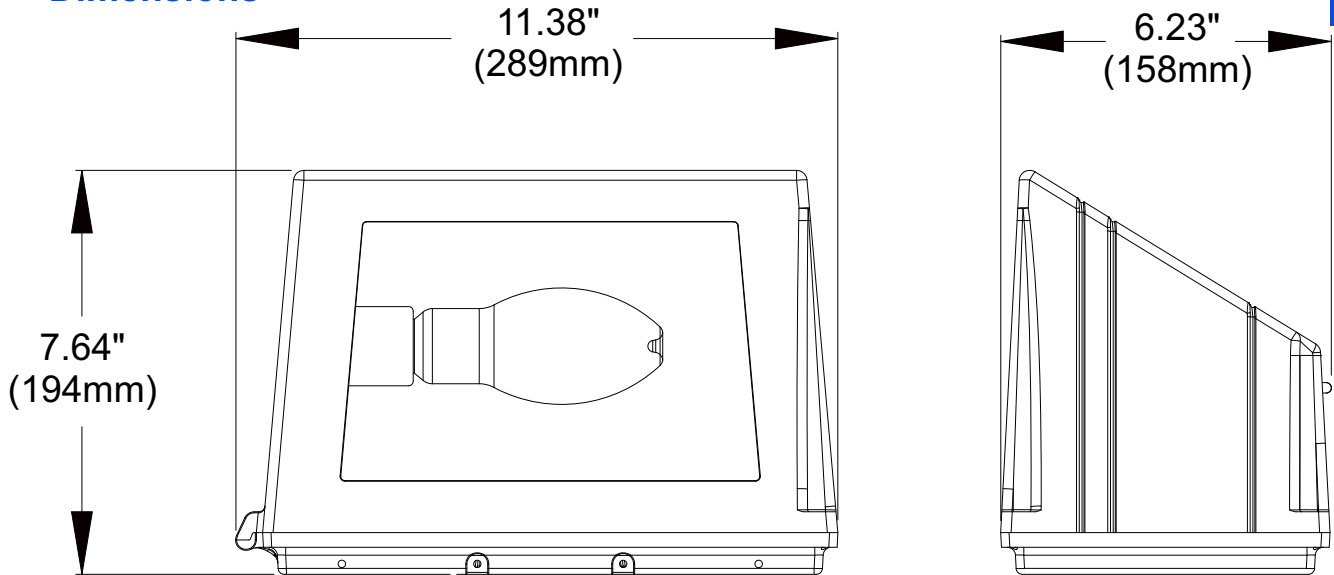
* Additional lamp wattages and ballast voltages are available. Contact factory for details.

Pulse Start units meet or exceed the minimum efficiency requirements of the Energy Independence and Security Act of 2007 (EISA)

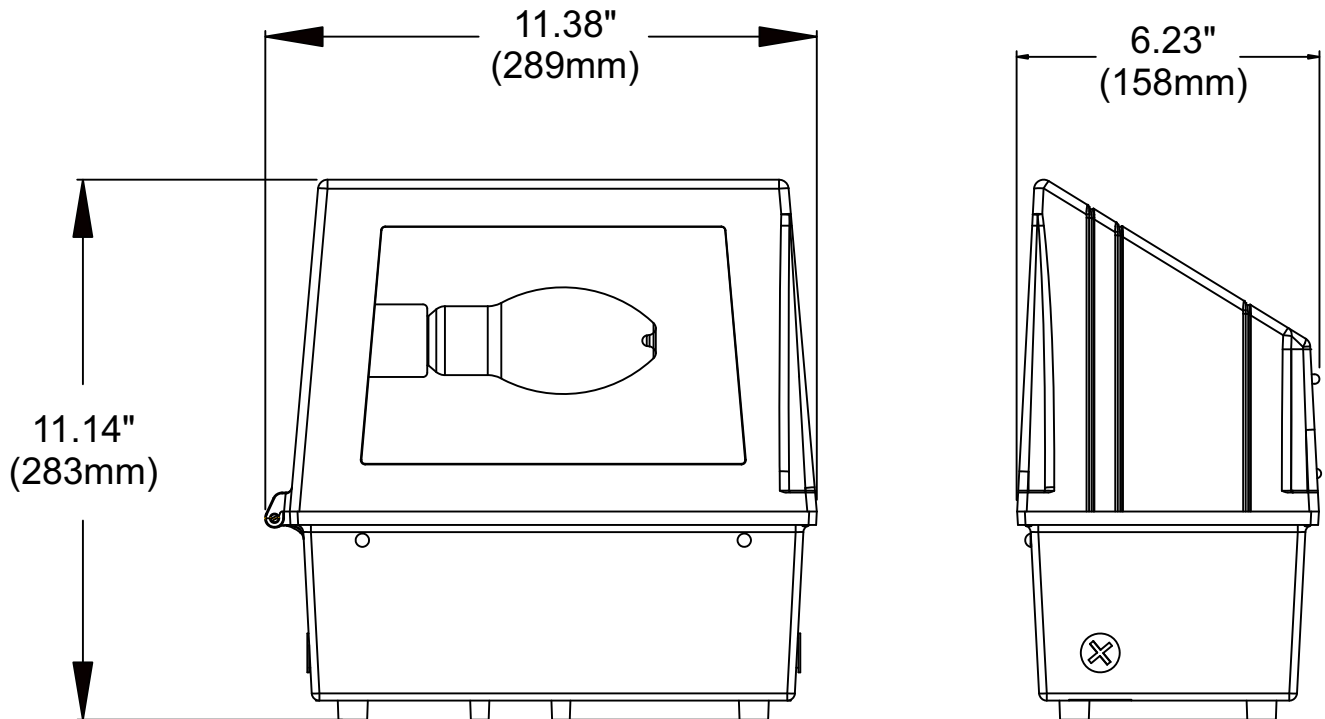
** Other finishes are available. Please contact the factory for details.

So that we may continue to supply the best possible product, specifications may change without notice. Consult the Paraflex website for the most up-to-date product information.

Dimensions



WST116S Shallow



WST116D Deep