

The WPT18 is a corrosion resistant large wall pack designed to meet the demands of industrial and commercial applications. The housing can be mounted directly over a standard 4" outlet box or surface wired through ½" conduit entries. Suitable for wet locations, these lights provide illumination for safety and security along building perimeters. The unique zero sight line feature allows this product to meet the local "Dark Sky" requirements. Available in both wired and non wired versions.

Product Specifications

Housing:

Durable die cast aluminum with three ½" threaded conduit entries for surface wiring. A continuous one piece gasket ensures a weather tight seal.

Lens:

Clear Prismatic Borosilicate glass refractor

Reflector:

One piece anodized aluminum reflector for maximum lumen output

Socket:

Mogul Base E39 – HID units

Lamps:

WPT189S Metal Halide or High Pressure Sodium 250W Max
WPT189D Metal Halide or High Pressure Sodium 400W Max
(all lamps are included)

Ballast:

Multi-tap – 120, 208, 240, 277 Volts
Multi-tap pulse start – 120, 208, 240, 277 Volts
Universal – 120 -277 Volts



Applications

- * Parking areas
- * Entrances
- * Walkways
- * Underpasses
- * Loading docks
- * Recreation areas

Finish:

Dark bronze (BZ) powder paint finish is standard

Approvals:



UNDERWRITERS
LABORATORIES



Contact our engineering staff if you require further application information.

Part Number Listing

Part No.	Series Number	Lamps	Ballast
R800032	WPT189S-HPS250-MT-BZ	HPS250W	MT/60HZ
R800033	WPT189S-MH250PS-MT-BZ	MH250W(PS)	MT/60HZ/PS
R800119	WPT189S-BZ	N/A	N/A
R800034	WPT189D-HPS400-MT-BZ	HPS400W	MT/60HZ
R800035	WPT189D-MH400PS-MT-BZ	MH400W(PS)	MT/60HZ/PS
R800120	WPT189D-BZ	N/A	N/A

* Additional lamp wattages and ballast voltages are available. Contact factory for details.

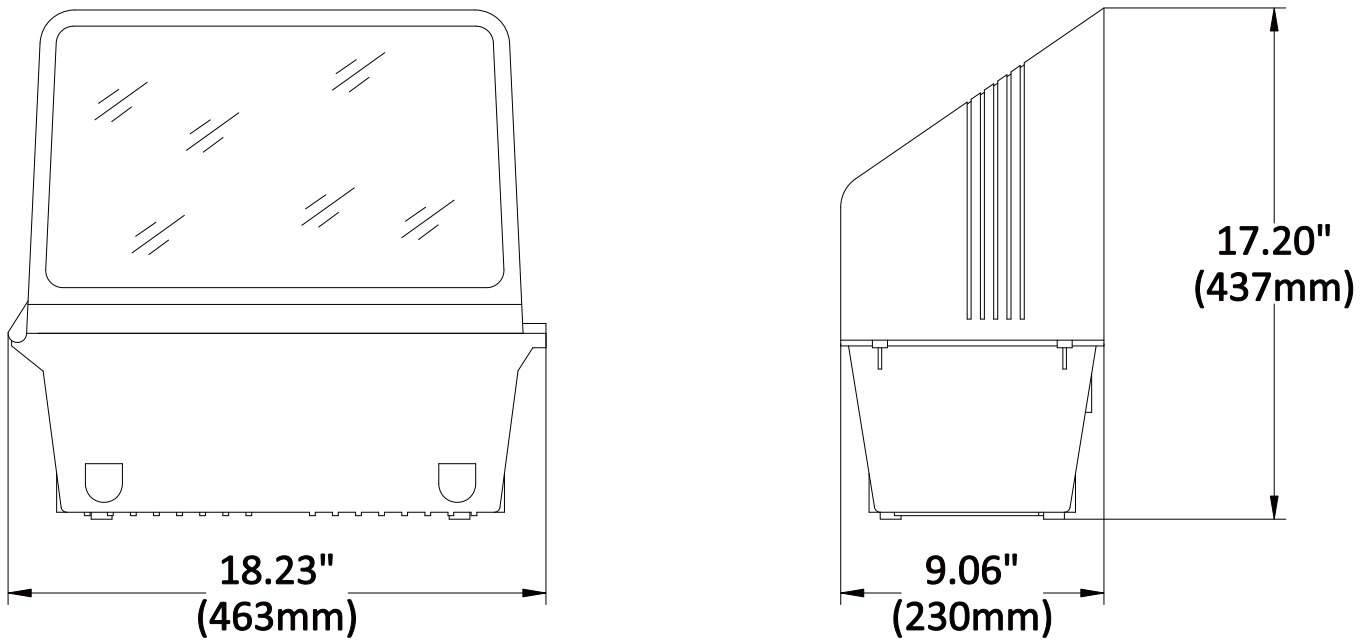
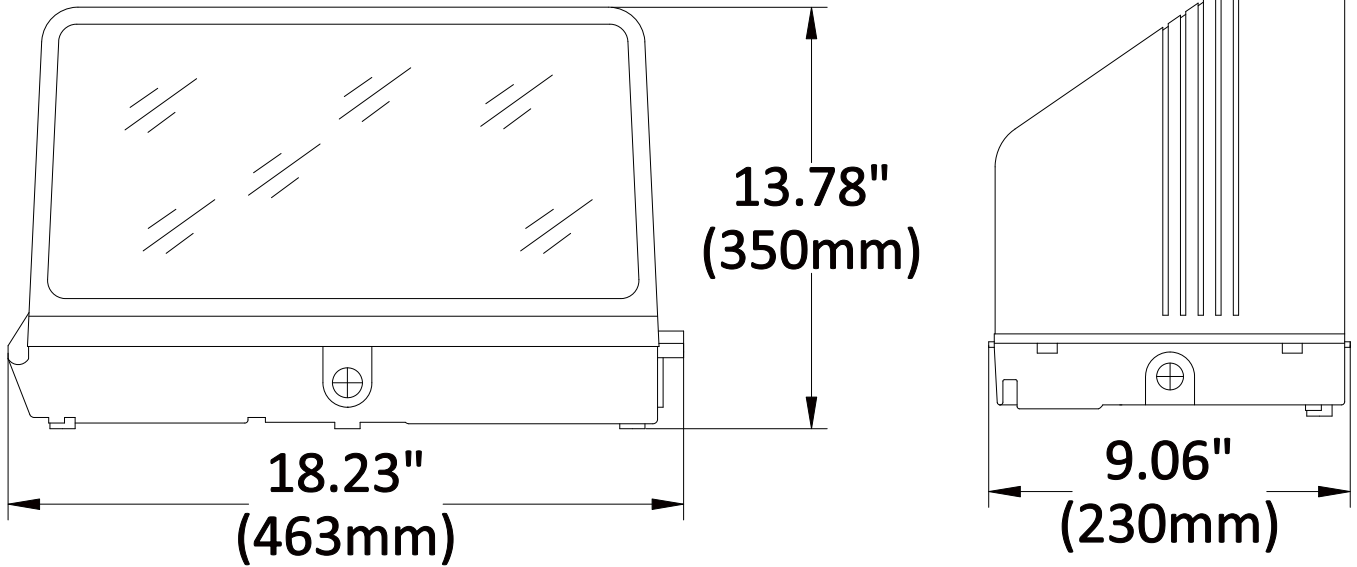
Pulse Start units meet or exceed the minimum efficiency requirements of the Energy Independence and Security Act of 2007 (EISA)

** Other finishes are available. Please contact the factory for details.

So that we may continue to supply the best possible product, specifications may change without notice. Consult the Paraflex website for the most up-to-date product information.

Dimensions

WPT189S



WPT189D