

The WPS88 series is low cost corrosion resistant small wall pack designed to meet the rugged demands of industrial and commercial applications. The housing can be mounted directly over a standard 4" outlet box or surface wired through ½" conduit entries. Suitable for wet locations, these lights provide illumination for safety and security along building perimeters. Available in both wired and non wired versions.

Product Specifications

Housing:

Durable die cast aluminum with three ½" threaded conduit entries for surface wiring or photocell installation. A continuous one piece gasket ensures a weather tight seal.

Lens:

Clear Prismatic polycarbonate diffuser with UV inhibitors

Reflector:

One pieces anodized aluminum reflector for maximum lumen output

Socket

Medium Base E26 – HID units

Universal four-pin – Compact fluorescent

Lamps:

Metal Halide 70W Max, High Pressure Sodium 100W Max or PLT42W-1 compact fluorescent (all lamps are included)

Ballast:

Single-tap – 120V/60HZ

Multi-tap – 120, 208, 240, 277 Volts

Universal – 120 -277 Volts

Finish:

Dark bronze (BZ) powder paint finish is standard **



Applications

- * Parking areas
- * Entrances
- * Walkways
- * Underpasses
- * Loading docks
- * Recreation areas

Approvals:



UNDERWRITERS
LABORATORIES

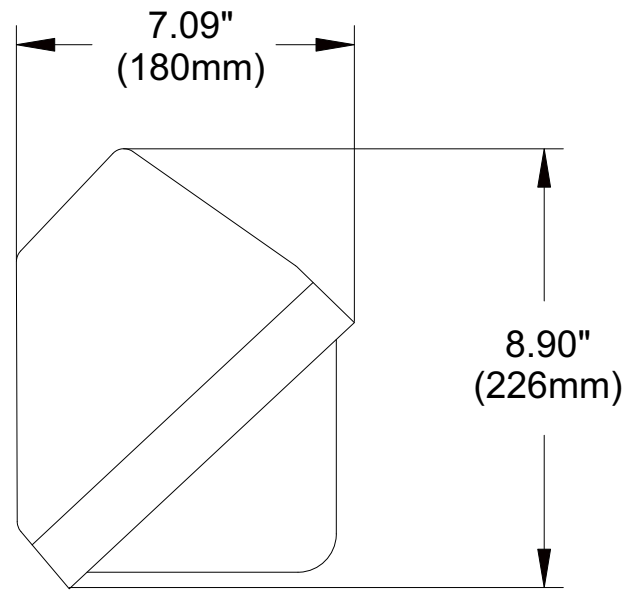
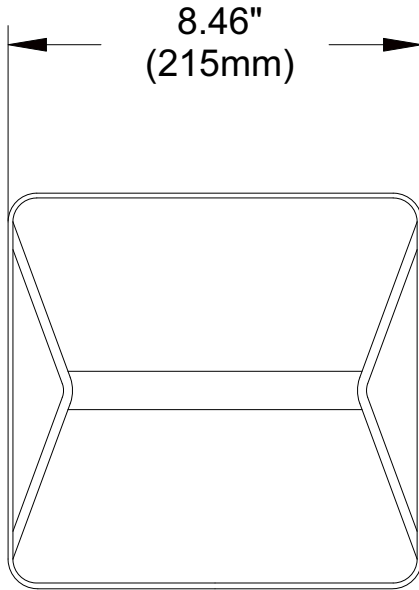


Part Number Listing

** Other finishes are available contact factory for details

Part No.	Series Number	Lamps	Ballast
R800000	WPS88-HPS100-120-BZ	HPS100W	120V/60HZ
R800124	WPS88-HPS70-MT-BZ	HPS70W	MT/60HZ
R800125	WPS88-HPS70-MT-WH	HPS70W	MT/60HZ
R800003	WPS88-MH70-MT-BZ	MH70W	MT/60HZ
R800126	WPS88-MH70-MT-WH	MH70W	MT/60HZ
R800113	WPS88-BZ	N/A	N/A
R800114	WPS88-WH	N/A	N/A
R800005	WPS88-PLT421-UNV-BZ	PLT42W*1	120~277V 60HZ

Dimensions



WPS88