

The WPM14 series is corrosion resistant medium wall pack designed to meet the rugged demands of industrial and commercial applications.. The housing can be mounted directly over a standard 4" outlet box or surface wired through ½" conduit entries. Suitable for wet locations, these lights provide illumination for safety and security along building perimeters. Available in both wired and non wired versions

Product Specifications

Housing:

Durable die cast aluminum with three ½" threaded conduit entries for surface wiring. A continuous one piece silicon gasket ensures a weather tight seal.

Lens:

Clear Prismatic Borosilicate glass refractor

Reflector:

One piece anodized aluminum reflector for maximum lumen output

Socket:

Medium Base E26 – HID units
Universal four-pin – Compact fluorescent

Lamps:

Metal Halide 175W Max, High Pressure Sodium 150W Max or PLT42W-2 compact fluorescent (all lamps are included)

Ballast:

Multi-tap – 120, 208, 240, 277 Volts
Multi-tap pulse start – 120, 208, 240, 277 Volts
Universal – 120 -277 Volts



Applications

- * Parking areas
- * Entrances
- * Walkways
- * Underpasses
- * Loading docks
- * Recreation areas

Finish:

Dark bronze (BZ) powder paint finish is standard

Approvals:



UNDERWRITERS
LABORATORIES



Contact our engineering staff if you require further application information.

Part Number Listing

Part No.	Series Number	Lamps	Ballast
R800015	WPM149S-HPS150-MT-BZ	HPS150W	MT/60HZ
R800016	WPM149S-MH150-MT-BZ	MH150W (PS)	MT/60HZ/PS
R800017	WPM149S-MH175-MT-BZ	MH175 (PS)	MT/60HZ/PS
R800018	WPM149S-PLT422-UNV-BZ PLT42W*2	120~277V 60HZ	
R800116	WPM149S-BZ	N/A	N/A

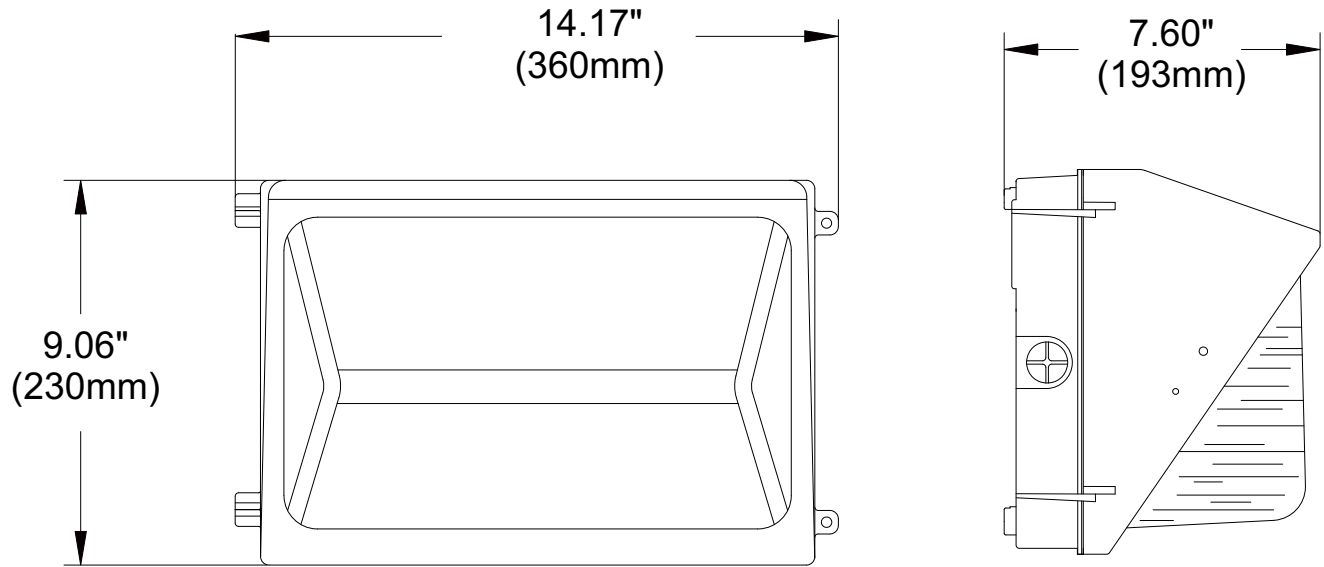
* Additional lamp wattages and ballast voltages are available. Contact factory for details.

Pulse Start units meet or exceed the minimum efficiency requirements of the Energy Independence and Security Act of 2007 (EISA)

** Other finishes are available. Please contact the factory for details.

So that we may continue to supply the best possible product, specifications may change without notice. Consult the Paraflex website for the most up-to-date product information.

Dimensions



WPM149S