

The WPL18 series is corrosion resistant large wall pack designed to meet the rugged demands of industrial and commercial applications. The housing can be mounted directly over a standard 4" outlet box or surface wired through ½" conduit entries. Suitable for wet locations, these lights provide illumination for safety and security along building perimeters. Available in both wired and non wired versions

Product Specifications

Housing:

Durable die cast aluminum with three ½" threaded conduit entries for surface wiring. A continuous one piece gasket ensures a weather tight seal.

Lens:

Clear Prismatic Borosilicate glass refractor

Reflector:

One piece anodized aluminum reflector for maximum lumen output

Socket:

Mogul E39 – HID units

Lamps:

WPL189S Metal Halide or High Pressure Sodium 250W Max
WPL189D Metal Halide or High Pressure Sodium 400W Max
(all lamps included)

Ballast:

Multi-tap – 120, 208, 240, 277 Volts
Multi-tap pulse start – 120, 208, 240, 277 Volts



Applications

- * Parking areas
- * Entrances
- * Walkways
- * Underpasses
- * Loading docks
- * Recreation areas

Finish:

Dark bronze (BZ) powder paint finish is standard

Approvals:



UNDERWRITERS
LABORATORIES



Contact our engineering staff if you require further application information.

Part Number Listing

Part No.	Series Number		Lamps	Ballast
R800019	WPL189S-HPS250-MT-BZ	Shallow Housing	HPS250W	MT/60HZ
R800022	WPL189S-MH250PS-MT-BZ		MH250W(PS)	MT/60HZ/PS
R800117	WPL189S-BZ		N/A	N/A
R800023	WPL189D-HPS400-MT-BZ	Deep Housing	HPS400W	MT/60HZ
R800026	WPL189D-MH400PS-MT-BZ		MH400W(PS)	MT/60HZ/PS
R800027	WPL189D-BZ		N/A	N/A

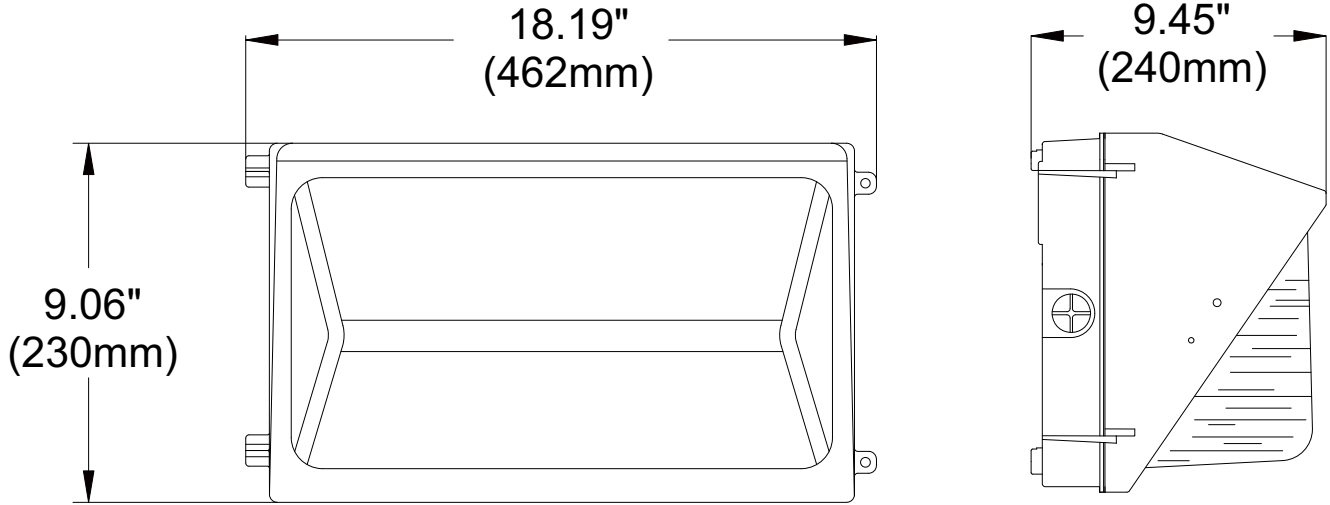
* Additional lamp wattages and ballast voltages are available. Contact factory for details.

** Other finishes are available. Please contact the factory for details.

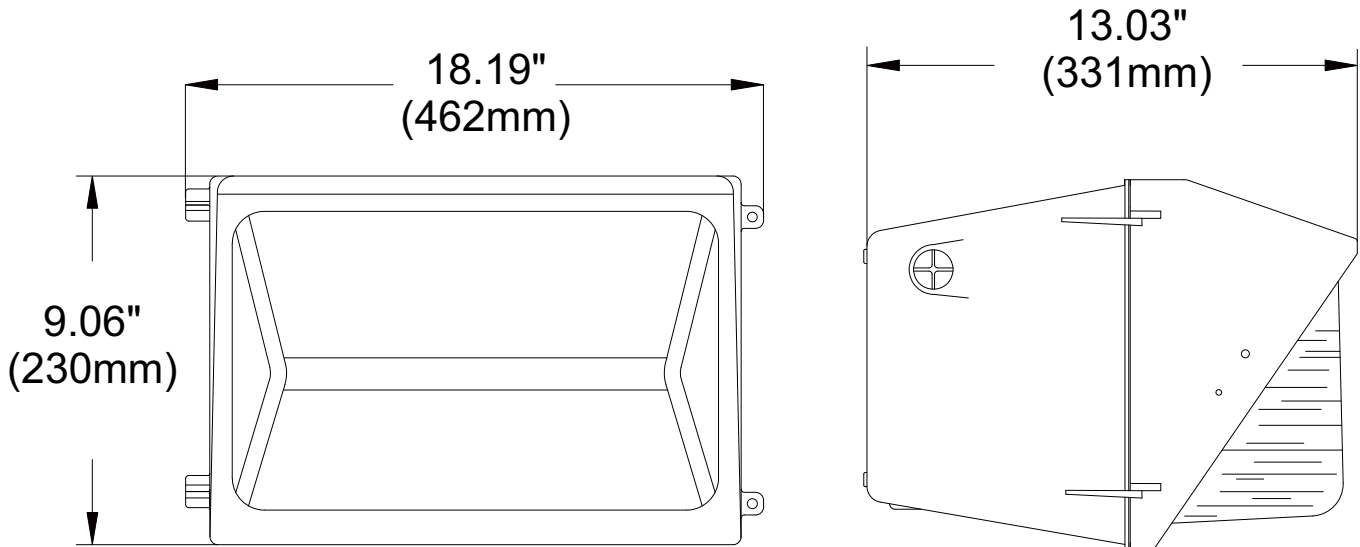
Pulse Start units meet or exceed the minimum efficiency requirements of the Energy Independence and Security Act of 2007 (EISA)

So that we may continue to supply the best possible product, specifications may change without notice. Consult the Paraflex website for the most up-to-date product information.

Dimensions



WPL189S shallow



WPL189D deep