

The SVR11 series is a 11" round vandal resistant fixture that can be mounted on the wall or ceiling designed to provide the extra level of protection and security required in high occupancy public areas. The housing can be mounted directly over a standard 4" outlet box or surface wired through ½" conduit entries. Suitable for wet locations, these lights are typically mounted 8 – 14 feet high.

### Product Specifications

#### Housing:

Durable die cast aluminum with ½" threaded conduit entries for surface wiring. A continuous one piece gasket ensures a weather tight seal

#### Lens:

Clear Prismatic polycarbonate diffuser with UV inhibitors

#### Reflector:

Steel with reflective white paint

#### Socket:

Medium Base E26 – HID units

#### Lamps:\*

Metal Halide 100W Max, High Pressure Sodium 100W Max

#### Ballast:\*

Single-tap – 120V/60HZ  
Multi-tap – 120, 208, 240, 277 Volts



**VANDAL  
RESISTANT**

### Applications

- Schools
- Shopping Centers
- Correctional Facilities
- Parks and Swimming Pools Facilities
- Any Public Building

#### Finish:\*\*

Dark bronze (BZ) powder paint finish is standard

#### Approvals:



UNDERWRITERS  
LABORATORIES



Contact our engineering staff if you require further application information.

### Part Number Listing

Part No.	Series Number	Lamps	Ballast
R800070	SVR11D-HPS100-120-BZ	HPS100W	120V/60HZ
R800066	SVR12D-MH100-120-BZ	MH100W	120V/60 HZ

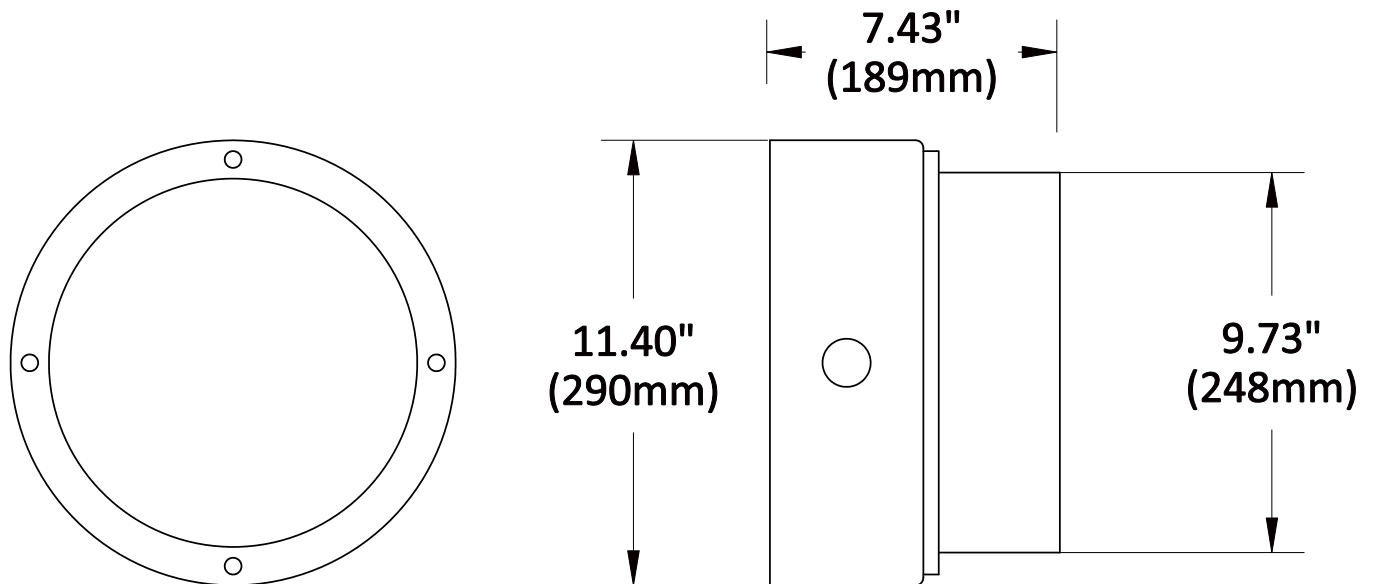
\* Additional lamp wattages and ballast voltages are available. Contact factory for details.

\*\* Other finishes are available. Please contact the factory for details.

Pulse Start units (when listed) meet or exceed the minimum efficiency requirements of the Energy Independence and Security Act of 2007 (EISA)

So that we may continue to supply the best possible product, specifications may change without notice. Consult the Paraflex website for the most up-to-date product information.

**VANDAL  
RESISTANT**



# SVR11D