

The SL series is ideal for illuminating billboards and buildings. The heavy duty weather resistant design is UL and CUL rated for wet and damp locations.

Available in 4, 6 or 8 foot versions with one or two lamps. The aluminum housing incorporate an internal reflector for improved light output and efficiency with reduced hotspots. Splice boxes at each end are taped for ¾ conduit entries and permits 360° rotary adjustment. Suitable for continuous row mounting.

Product Specifications

Housing:

Anodized aluminum

Lens:

Clear high impact acrylic with full length locking groove

Reflector:

White baked enamel for maximum lumen output

Socket:

Supplied with lead wire and following sockets – HO/VHO or T-8/Bi-Pin. T-5 conversion kit available

Lamps:

Not included

Ballast:

Requires remote ballast or can be mounted internally with optional universal tray



Applications

- * Billboards
- * Store Fronts
- * Building facades
- * Building Perimeters

Finish:

Available in both aluminum and white

Approvals:



UNDERWRITERS LABORATORIES



Contact our engineering staff if you require further application information.

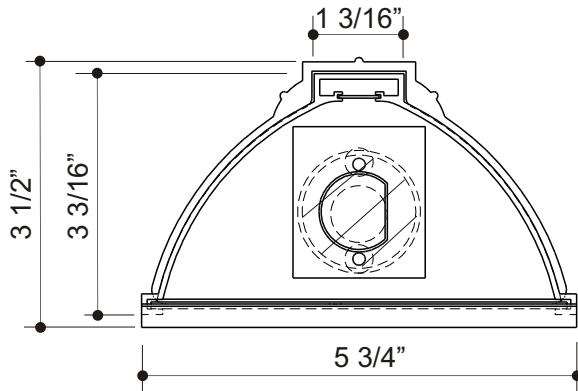
Part Number Listing

Part No.	Series Number	Description
R600071	SLC481AL	4' 1 lamp (HO/VHO) Anodized Aluminum
R600072	SLC482AL	4' 2 lamp (HO/VHO) Anodized Aluminum
R600073	SLC481ALT8	4' 1 lamp (T-8/Bi-Pin) Anodized Aluminum
R600904	SLC481WH	4' 1 lamp (HO/VHO) White Aluminum
R600061	SLC721AL	6' 1 lamp (HO/VHO) Anodized Aluminum
R600062	SLC722AL	6' 2 lamp (HO/VHO) Anodized Aluminum
R600063	SLC721WH	6' 1 lamp (HO/VHO) White Aluminum
R600122	SLC1441AL	2x6' 1 lamp (HO/VHO) Anodized Aluminum
R600102	SLC961AL	8' 1 lamp (HO/VHO) Anodized Aluminum
R600151	SLC962AL	8' 2 lamp (HO/VHO) Anodized Aluminum
R600111	SLC961ALT8	8' 1 lamp (T-8/Bi-Pin) Anodized Aluminum
R600908	SLC961WH	8' 1 lamp (HO/VHO) White Aluminum
R600105	SLC1921AL	2x8' 1 lamp (HO/VHO) Anodized Aluminum

So that we may continue to supply the best possible product, specifications may change. Please consult the Paraflex website for the most up-to-date product information.

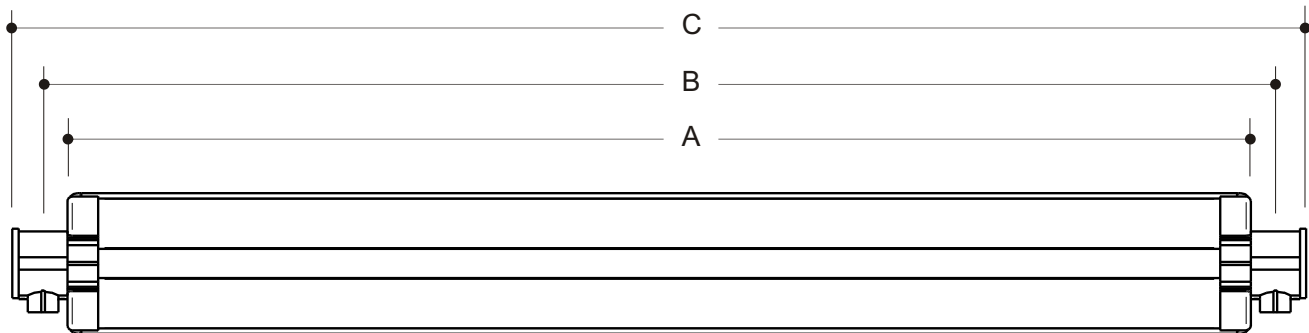
Dimensions

End View



Series Number	Lamp Size	A	B	C
SLC48	48"	48 1/4"	50 3/8"	52 3/8"
SLC72	72"	72 1/4"	74 3/8"	76 3/8"
SLC96	96"	96 1/4"	98 3/8"	100 3/8"

Bottom View



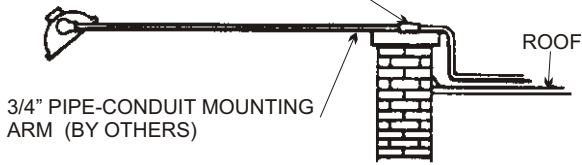
Accessories and Replacement Parts

Part No.	Series Number	Description
R600520	SLA48LNS	4' Replacement Lens
R600530	SLA482HSG	4' Replacement Anodized Aluminum Housing
R600630	SLA72LNS	6' Replacement Lens
R600640	SLA72HSG	6' Replacement Anodized Aluminum Housing
R600680	SLA96LNS	8' Replacement Lens
R600690	SLA96HSG	8' Replacement Aluminum Housing
R600410	SLA0LNSBKT	Lens Retaining Bracket
R600050	SLA0SPBX	Splice Box
R600200	SLA0ECAP	End Cap
R600240	SLA0EPLT	End Plate
R600524-U	SLA0UNVTRY	Universal Tray
R600425	SLA0TRYBKT	Universal Tray Bracket
R600500	SLA0WWC	Wireway Cover
R600121	SLA0T5KIT	T5 Conversion Kit

TYPICAL INSTALLATIONS

BUILDING MOUNTING

SADDLE STRAP ANCHORED TO COPING (BY OTHERS)

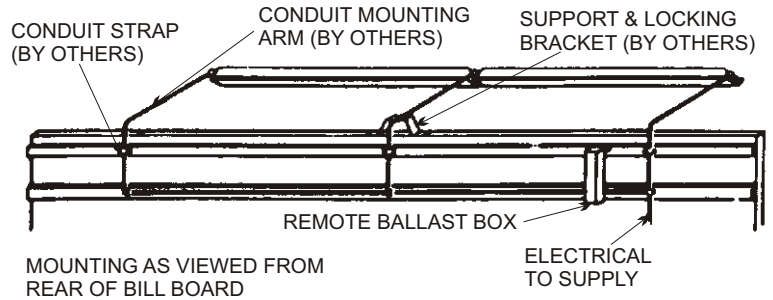


3/4" PIPE-CONDUIT MOUNTING ARM (BY OTHERS)

BUILDINGS

A natural for store-front and service station lighting. With this unit the store-front or service station is lighted uniformly from roof to grade.

BILLBOARD MOUNTING

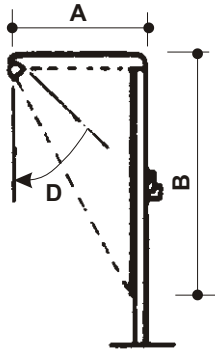
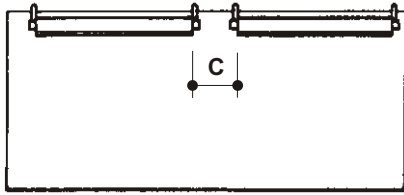


MOUNTING AS VIEWED FROM REAR OF BILL BOARD

BILLBOARDS

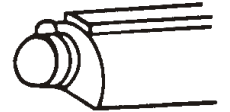
Balanced high light output gives the advertising message greater impact. Copy and illustrations stand out and color distortion is virtually eliminated. Complete vertical surface is covered with a minimum of graduation and "hot spots" are eliminated.

LUMINAIRE SPACING AND MOUNTING



1. Dim. C should not exceed dimensions of A.
2. Dim. B should be twice the dimension of A.
3. If Dim. B exceeds 15 ft. then luminaires should be installed at top and bottom of area to be illuminated.
4. Angle of Dim. D should be 45° if dimensions are as outlined in paragraph No. 2. If Dim. A is four times less than Dim. B then angle should be 22.5°.

INDIVIDUAL



CONTINUOUS RUN

