

The FL99 series is corrosion resistant small square flood light, 9"x9", designed to meet the rugged flood light demands found in both industrial and commercial applications. Suitable for wet locations, these lights provide illumination for safety and security.

### Product Specifications

#### Housing:

Durable die cast aluminum with a silicon gasket to ensure a weather tight seal. Hinged door frame allows for ease of re-lamping. Integral locking teeth swivel provides multiple adjustment intervals.

#### Lens:

Clear heat and impact resistant tempered glass

#### Reflector:

Anodized aluminum reflector for maximum lumen output

#### Socket:

Medium Base E26 – HID units

#### Lamps:\*

Metal Halide 150W and 175W Max, High Pressure Sodium 150W Max

#### Ballast:\*

Single-tap – 120 Volts  
Multi-tap – 120, 208, 240, 277 Volts



### Applications

- Building facades
- Landscaping
- Signs and display
- Parking areas
- Walkways
- Loading docks

#### Finish:\*\*

Dark bronze (BZ) powder paint finish is standard

#### Approvals:



UNDERWRITERS  
LABORATORIES



Contact our engineering staff if you require further application information.

FLOOD LIGHT

### Part Number Listing

| Part No. | Series Number        | Lamps     | Ballast    |
|----------|----------------------|-----------|------------|
| R800081  | FL99-HPS150-120-BZ   | HPS150W   | 120V/60HZ  |
| R800082  | FL99-MH150PS-MT-BZ   | M150W PS  | MT/60HZ PS |
| R800083  | FL97-MH175PS-MT-BZ   | MH175W PS | MT/60HZ PS |
| R800099  | FL1612TR-MH400-MT-BZ | MH400W    | MT/60HZ    |

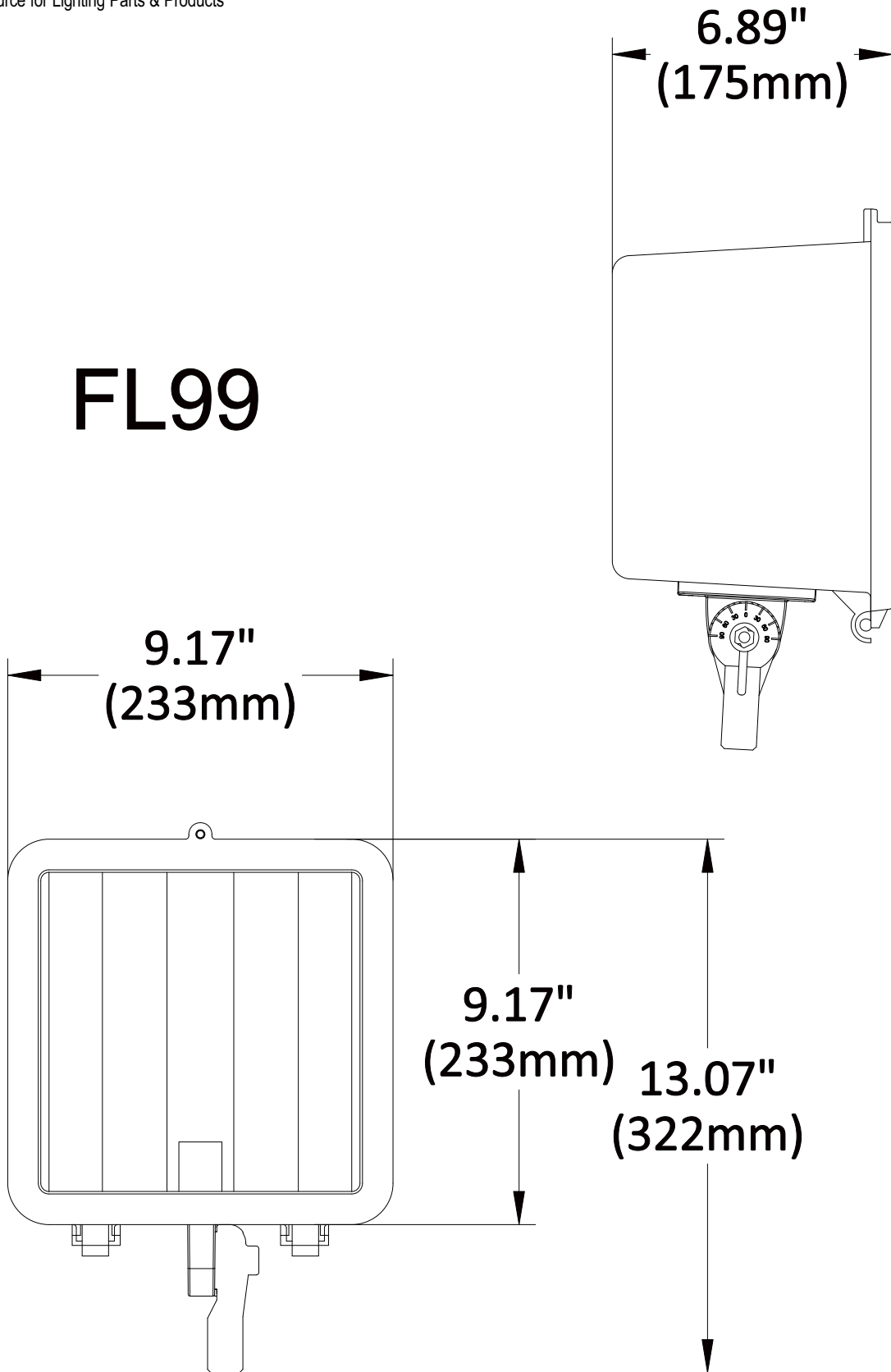
\* Additional lamp wattages and ballast voltages are available. Contact factory for details.

\*\* Other finishes are available. Please contact the factory for details.

Pulse Start units (when listed) meet or exceed the minimum efficiency requirements of the Energy Independence and Security Act of 2007 (EISA)

So that we may continue to supply the best possible product, specifications may change without notice. Consult the Paraflex website for the most up-to-date product information.

# FL99



**FLOOD LIGHT**