

The FL97 series is corrosion resistant small flood light, 9"x7", designed to meet the rugged flood light demands found in both industrial and commercial applications. Suitable for wet locations, these lights provide illumination for safety and security.

Product Specifications

Housing:

Durable die cast aluminum with a silicon gasket to ensure a weather tight seal. Hinged door frame allows for ease of re-lamping. Integral locking teeth swivel provides multiple adjustment intervals.

Lens:

Clear heat and impact resistant tempered glass

Reflector:

Anodized aluminum reflector for maximum lumen output

Socket:

Medium Base E26 – HID units
Universal four-pin – Compact fluorescent

Lamps:*

Metal Halide 100W Max, High Pressure Sodium 150W Max or PLT42W-1 compact fluorescent (all lamps are included)

Ballast:*

Single-tap – 120 Volts
Multi-tap – 120, 208, 240, 277 Volts
Universal – 120 -277 Volts



Applications

- Building facades
- Landscaping
- Signs and display
- Parking areas
- Walkways
- Loading docks

Finish:**

Dark bronze (BZ) powder paint finish is standard

Approvals:



UNDERWRITERS
LABORATORIES



Contact our engineering staff if you require further application information.

FLOOD LIGHT

Part Number Listing

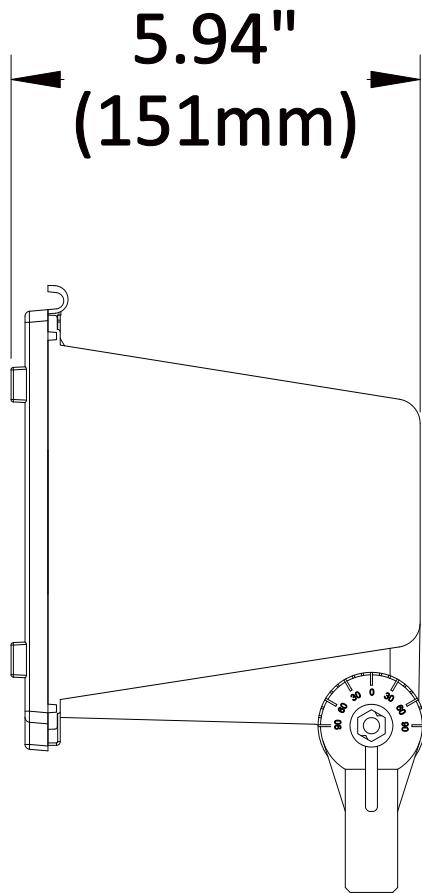
Part No.	Series Number	Lamps	Ballast
R800077	FL97-HPS150-120-BZ	HPS150W	120V/60HZ
R800078	FL97-MH100-120-BZ	M100W	120V/60HZ
R800079	FL97-MH100-MT-BZ	MH100W	MT/60HZ
R800080	FL97-PLT421-UNV-BZ	PLT42W*1	120~277V 60HZ

* Additional lamp wattages and ballast voltages are available. Contact factory for details.

** Other finishes are available. Please contact the factory for details.

Pulse Start units (when listed) meet or exceed the minimum efficiency requirements of the Energy Independence and Security Act of 2007 (EISA)

So that we may continue to supply the best possible product, specifications may change without notice. Consult the Paraflex website for the most up-to-date product information.



FL97

FLOOD LIGHT

