

The FL1612 series is corrosion resistant medium rectangular flood light, 16"x12", designed to meet the rugged flood light demands found in both industrial and commercial applications. Suitable for wet locations, these lights provide illumination for safety and security.

### Product Specifications

#### Housing:

Durable die cast aluminum with a silicon gasket to ensure a weather tight seal. Hinged door frame allows for ease of re-lamping. Mounting options include slip fit (SF), trunion (TR)

#### Lens:

Clear heat and impact resistant tempered glass

#### Reflector:

Anodized aluminum reflector for maximum lumen output

#### Socket:

Medium Base E39 – HID units

#### Lamps:\*

Metal Halide 150W, 175W, 250W and 400W Max, High Pressure Sodium 400W Max

#### Ballast:\*

Multi-tap – 120, 208, 240, 277 Volts



"TR"

"SF"

### Applications

- Walkways
- Parking areas
- Shopping Centers
- Commercial and industrial complexes
- Loading docks
- Driveways

#### Finish:\*\*

Dark bronze (BZ) powder paint finish is standard

#### Approvals:



UNDERWRITERS  
LABORATORIES



Contact our engineering staff if you require further application information.

FLOOD LIGHT

### Part Number Listing

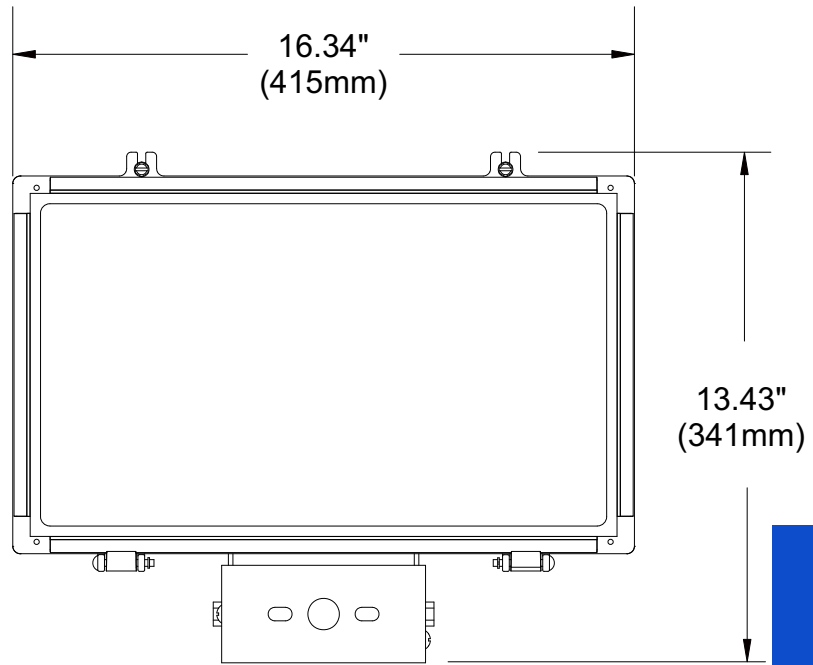
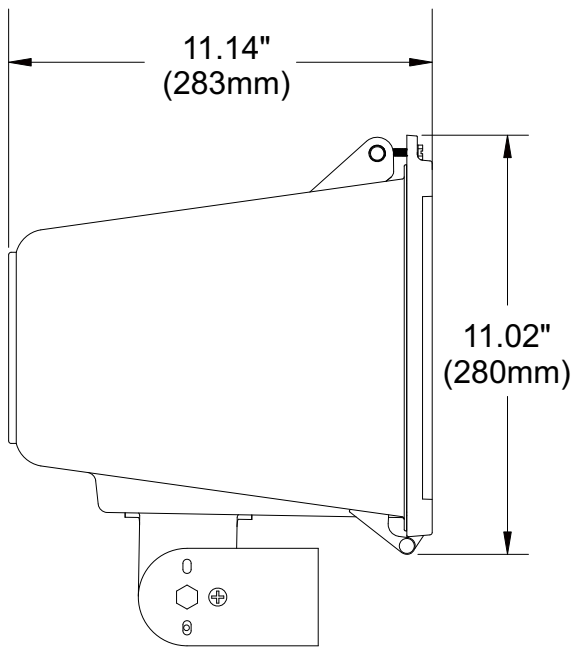
Part No.	Series Number	Lamps	Ballast
R800092	FL1612SF-HPS400-MT-BZ	HPS400W	MT/60HZ
R800093	FL1612TR-HPS400-MT-BZ	HPS400W	MT/60HZ
R800094	FL1612-MH150PS-MT-BZ	MH150W PS	MT/60HZ PS
R800095	FL1612-MH175PS-MT-BZ	MH175W PS	MT/60HZ PS
R800096	FL1612-MH250PS-MT-BZ	MH250W PS	MT/60HZ PS
R800097	FL1612-MH400PS-MT-BZ	MH400W PS	MT/60HZ PS
R800098	FL1612SF-MH400-MT-BZ	MH400W	MT/60HZ

\* Additional lamp wattages and ballast voltages are available. Contact factory for details.

\*\* Other finishes are available. Please contact the factory for details.

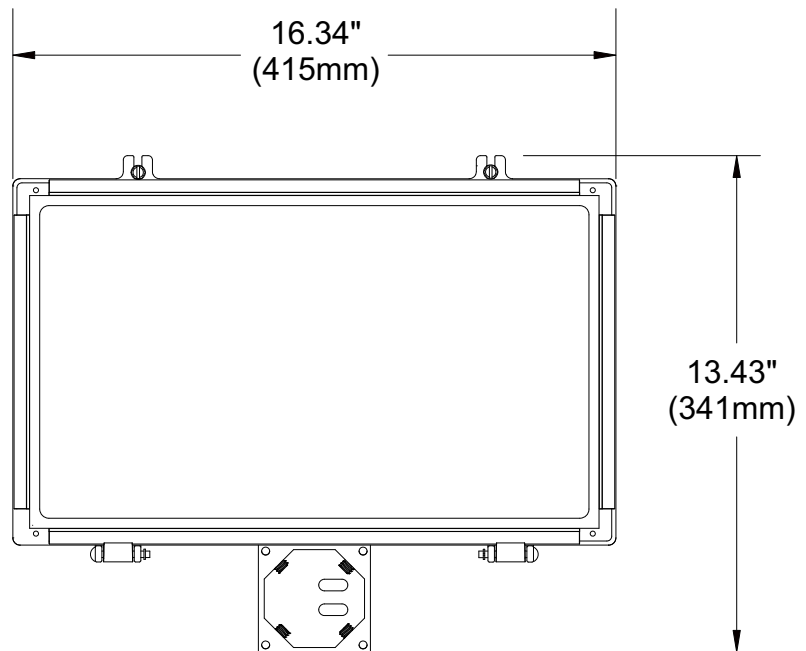
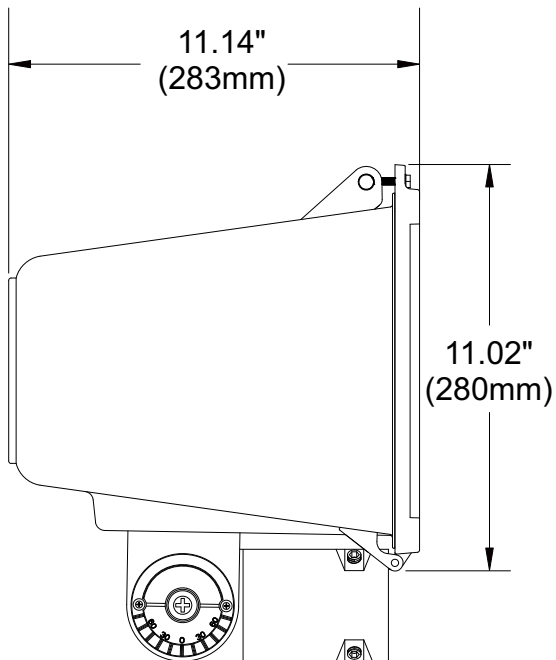
Pulse Start units (when listed) meet or exceed the minimum efficiency requirements of the Energy Independence and Security Act of 2007 (EISA)

So that we may continue to supply the best possible product, specifications may change without notice. Consult the Paraflex website for the most up-to-date product information.



FL1612TR

FLOOD LIGHT



FL1612SF