



Large Deep Wall Pack DC250



Large Deep Wall Pack  
Cut Off



Wire Guard

### FIXTURE FEATURES

- **Housing** - Heavy duty die cast aluminum with weather seal gasket with frame & diffuser.
- **Diffuser** - High impact prismatic borosilicate glass for wide spread distribution.
- **Reflector** - One piece stippled anodized asymmetric reflector.
- **Socket** - UL mogul base (E-39).
- **Light Source** - Suitable for up to 400W HPS or MH.
- **Mounting** - Mounts directly over standard 4" electrical box or with surface conduit.
- **Regulatory** - UL & CUL listed for wet and damp locations.
- **Applications** - Indoor and outdoor, parking area, perimeter lighting, entrance & walkway, loading areas.

Part Number	Description
R300484	DC250CUBZ Complete, Mogul Socket (E-39), glass lens, bronze finish
R301494	DC250ACUBH Cut Off, Med Socket (E-26) Industrix Glass, bronze finish
R300407	DC200WG Stainless Steel Wire Guard
R301550	DC200/250GR Glass Refractor

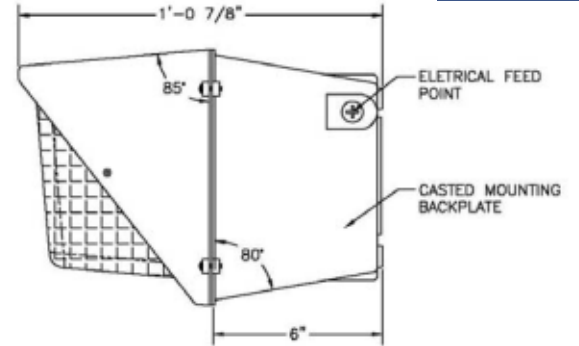
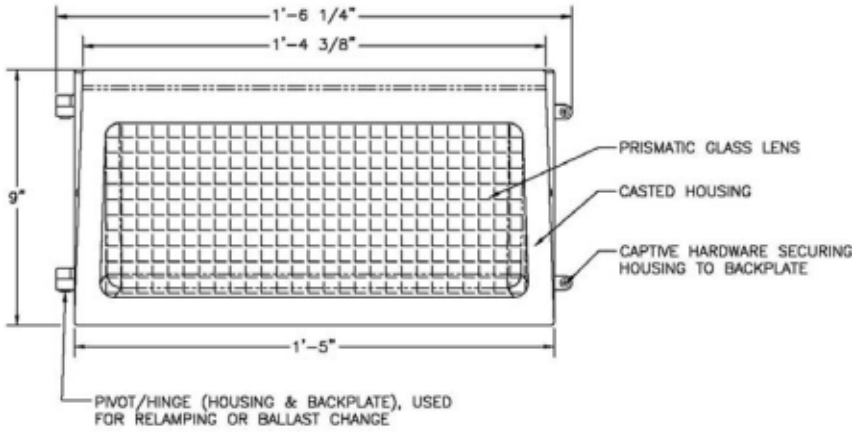
# PARAFLEX INDUSTRIES

The Manufacturers Source For  
Lighting Parts And Products

## DC250 Series Wall Packs

**WALL PACKS  
UNWIRED**

R300484



R301494

