

The DC150L-90 series is corrosion resistant medium wall pack designed to meet the rugged demands of industrial and commercial applications. The housing can be mounted directly over a standard 4" outlet box or surface wired through ½" conduit entries. Suitable for wet locations, these lights provide illumination for safety and security along building perimeters. The zero sight line feature allows this product to meet the local "Dark Sky" requirements.

### Features & Benefits

- Uses up to 88% less energy when compared to the HID equivalent
- Instant on/off operation
- Resistant to shock and vibration
- Surged Protected
- Unique optical design provides optimum light distribution
- 4000K color temperature ‡
- CRI >60
- Power factor >0.98
- Produces no UV radiation
- Contains no Mercury
- 5 year limited warranty

### Applications

- Parking areas
- Entrances
- Walkways
- Underpasses
- Loading docks
- Recreation areas

For photometric data and IES files, please contact the factory.



### Product Specifications

#### Housing:

Durable die cast aluminum with ½" threaded conduit entries for surface wiring. A continuous one piece gasket ensures a weather tight seal

#### Lens:

Clear heat and impact resistant tempered glass refractor

#### LEDs:

Array of 32 x 1 watt Philips Lumileds, providing 3200lm

#### Operating Voltage:

100 ~ 277 VAC 50/60Hz

#### Finish:

Dark bronze powder paint finish is standard.

#### Approvals / Ratings:



UNDERWRITERS  
LABORATORIES



IP 66 rated

Conforms to UL8750 & EN61347 safety regulations

### Part Number Listing

Part No.	Series Number	Efficacy	Operating Voltage	Input Watts
R910004	DC150L-90	74lm/W	100~277 VAC 50/60 Hz	34W

\* Other finishes may be available. Contact the factory for details. ‡ Contact factory for details and other options.

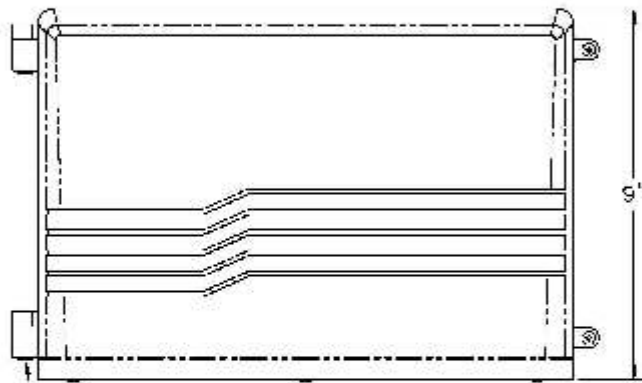
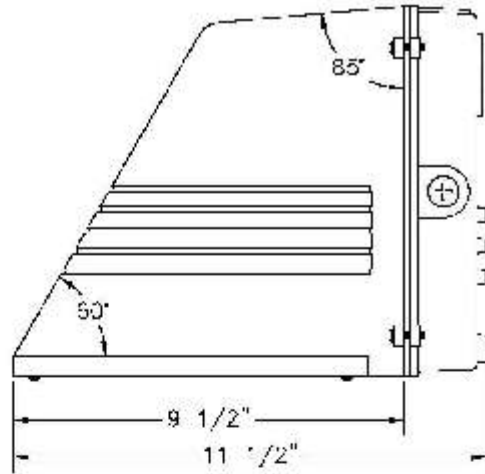
So that we may continue to supply the best available products, specifications may change. Check our web site for the latest updates and product improvements. Contact our engineering staff if you require further application information.

# PARAFLEX INDUSTRIES

The Manufacturers Source For  
Lighting Par

## DC150L-90 34 W Medium Full Cut Off LED Wall Pack

### Dimension:



PIVOT/HINGE (HOUSING & BACKPLATE), USED FOR RELAMPING OR BALLAST CHANGE

