



Small Wall Pack



Cut Off

WALL PACKS
UNWIRED

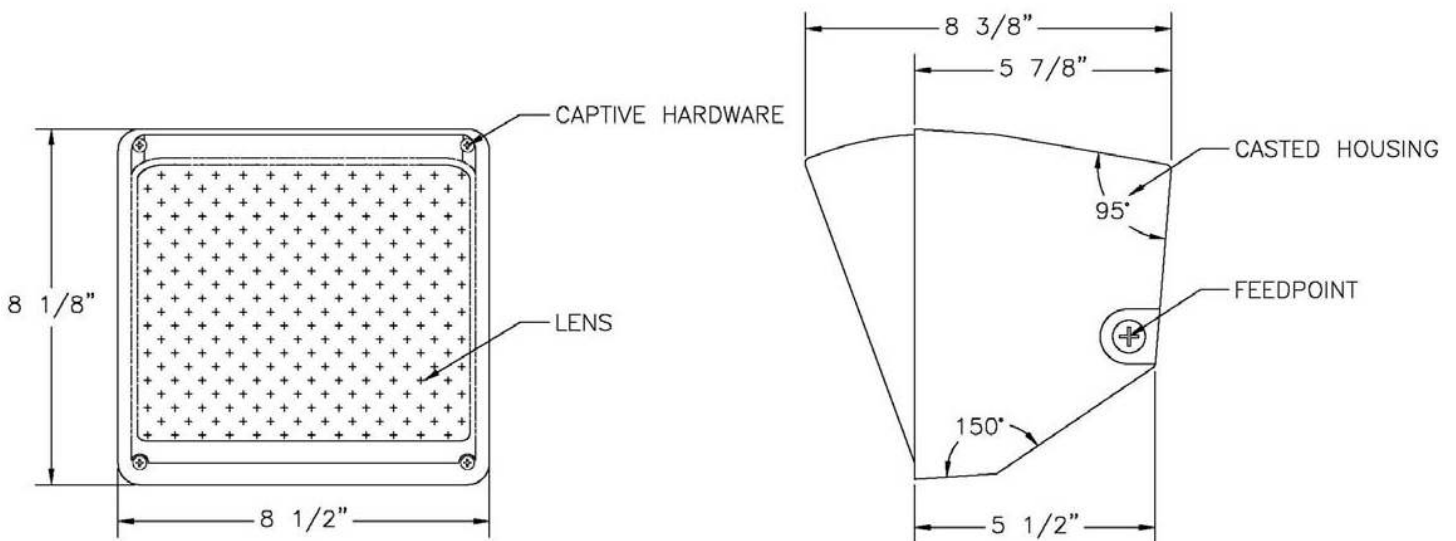
FIXTURE FEATURES

- **Housing** - Heavy duty die cast aluminum with weather seal gasket with diffuser.
- **Diffuser** - Prismatic: DC100, injection molded polycarbonate with UV inhibitors; DC 102, Borosilicate Glass. Cut off series; Industrix tempered glass plate.
- **Reflector** - Semi specular anodized asymmetric reflector.
- **Socket** - UL pulse rated medium base (E-26)
- **Light Source** - DC100 suitable for HPS 35W-100W - DC102 also suitable for MH 32W-100W.
- **Regulatory** - UL & CUL listed for wet and damp locations.
- **Mounting** - Mounts directly over standard 4" electrical box or with surface conduit.

Part Number	Description
R300034	DC100CUBZ Complete Unit, Med. Socket (E-26), PC lens, bronze finish
R300033	DC100CUWH Complete Unit, Med. Socket (E-26), PC lens, white finish
R300064	DC102 CUBZ Complete Unit, Med. Socket (E-26), Glass lens, bronze finish
R304124	DC100CUH Small Wall Pack, w/hood & hardware, Med. Socket (E-26), bronze finish
R300078	DC100FFGR Front Frame with glass & hinge
R300048	DC100PC Replacement prismatic polycarbonate lens, gasket, screws

**WALL PACKS
UNWIRED**

R304124



R300064

