



**VANDAL
RESISTANT**

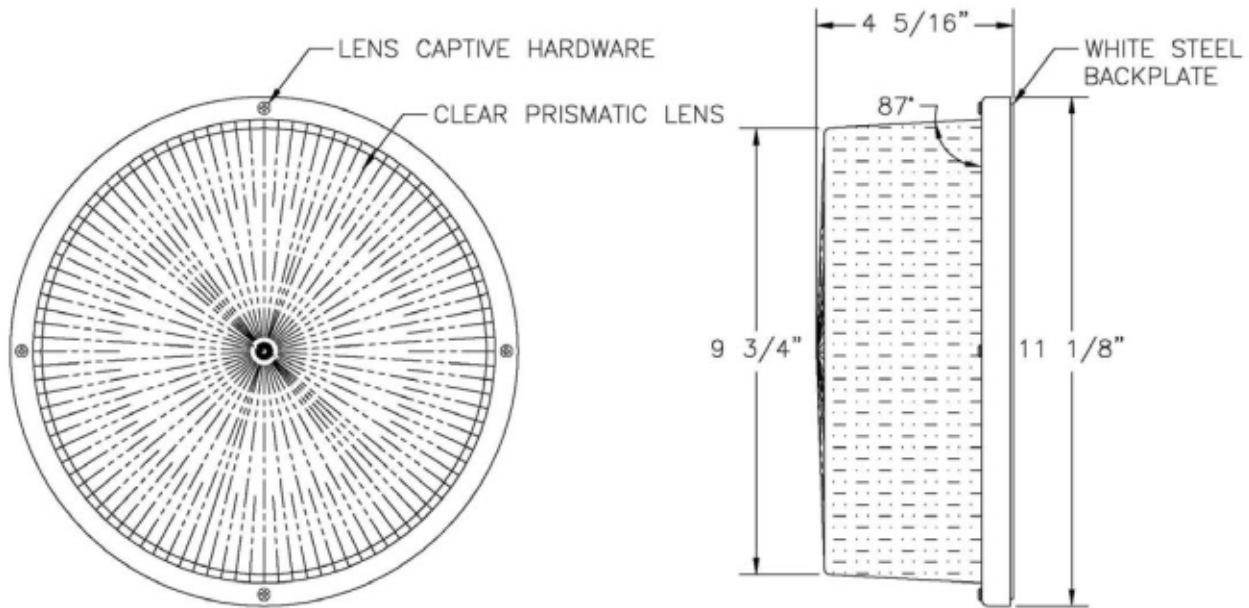
CV400 Series 11" Round with back box

FIXTURE FEATURES

- **Housing** - Die Formed heavy gauge steel with White powder coat finish. Neoprene gasket eliminates moisture, dust & insects. Optional bronze conduit adapter available for incandescent and fluorescent versions. Die Cast Aluminum Back Box for HID versions.
- **Diffuser** - Injection molded prismatic polycarbonate with UV inhibitors. Standard clear with white prismatic as option. Drill points for maximum security. Integral (molded) locking lugs opposite the retention screws.
- **Light Source** - Versions available for incandescent (CV401 series), Fluorescent (CV402 series) & HID 35W-70W MH/HPS (CV403 series).
- **Hardware** - Standard stainless steel screws or optional tamper proof tork screws.
- **Mounting** - Wall or ceiling mounting for indoor or outdoor locations.
- **Regulatory** - UL & CUL listed for wet locations with ceiling mount and damp locations for wall mounting.
- **Applications** - Security, public, or high abuse area. Correctional facilities.

Part Number	Description
R650473C	CV401CU Incandescent style, clear diffuser, socket included, complete unit
R650512	CV403CUBZ 11 inch Bronze HID with clear diffuser
R650493	CV402CU Kit—Fluorescent style, clear diffuser, no socket
R650448	CV400PC Clear polycarbonate prismatic diffuser
R650453	CV400SH Heavy gauge steel housing—White
R650403	CV400ABW White Aluminum conduit adapter/back box for use with HID style
R650404	CV400AB Bronze Aluminum conduit adapter/back box for use with HID style
R650411	CV400AC 11 Inch Foil Reflector, gasket & fiberglass padding

R650473C



**VANDAL
RESISTANT**

R650448

