



CV100 Series 5"x 8"



CV100 Series w/conduit adaptor

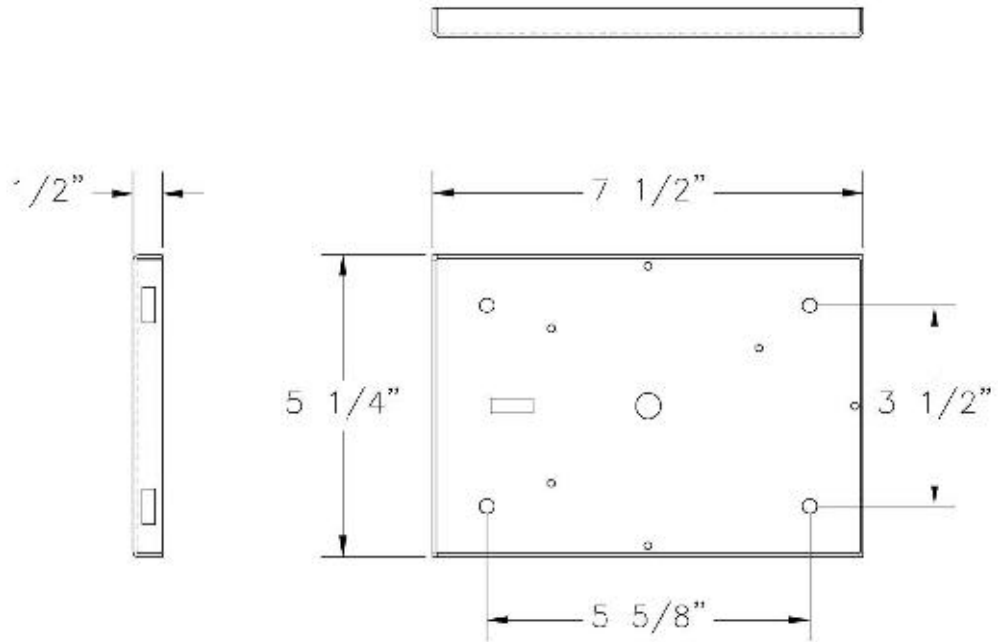
**VANDAL  
RESISTANT**

### FIXTURE FEATURES

- **Housing** - Die Formed heavy gauge steel with White powder coat finish. Neoprene gasket eliminates moisture, dust & insects. Optional bronze conduit adapter available.
- **Diffuser** - Injection molded prismatic polycarbonate with UV inhibitors. Standard clear with white prismatic as option. Drill points for maximum security. Integral (molded) locking lugs opposite the retention screws.
- **Hardware** - Standard stainless steel screws or optional tamper proof tork screws.
- **Mounting** - Wall or ceiling mounting for indoor or outdoor locations.
- **Regulatory** - UL & CUL listed for wet locations with ceiling mount and damp locations for wall mounting.
- **Applications** - Security, public, or high abuse area. Correctional facilities.

Part Number	Description
R650083	CV101CU Kit—Incandescent style, clear diffuser, socket included
R650063	CV100SH Heavy gauge steel housing—White
R650058	CV100PC Clear Polycarbonate prismatic diffuser
R650053	CV100PCW Alternate White polycarbonate prismatic diffuser
R650014	CV100AA Cast Aluminum Adapter—Bronze

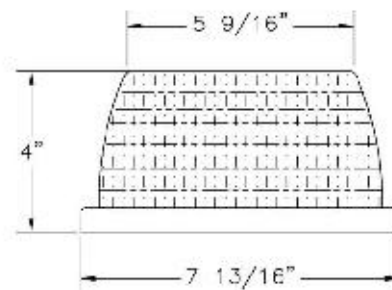
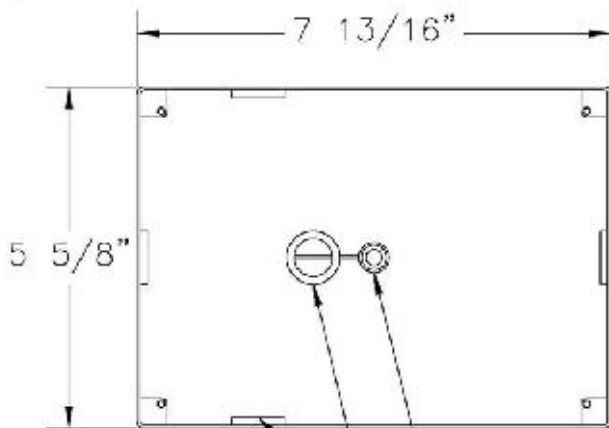
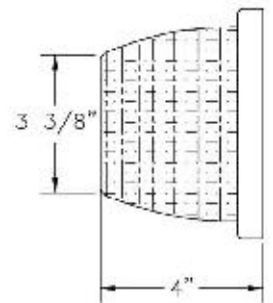
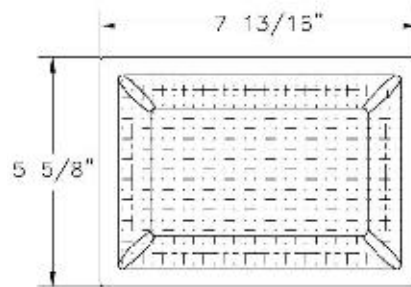
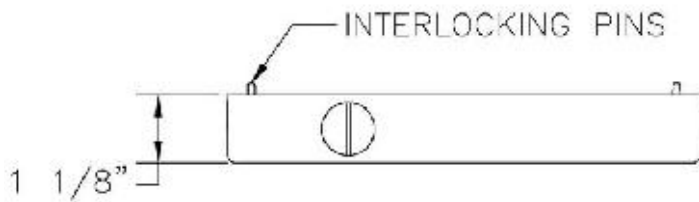
R650063



**VANDAL  
RESISTANT**

R350058

R650014



— THREADED STAND-OFF  
— FEEDPOINT